



MSZ-GB50VA

Inverter Heat Pump

R410A Wall Mounted System

This model has been completely redesigned and features the new Catechin filter system. It offers industry leading noise levels and also includes a wide swing & long airflow mode.

- **Anti-Allergy Enzyme filter is optional**



Pictures not to scale

Product Details

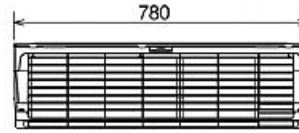
MSZ-GB50VA Indoor Unit	
Capacity (kW):	
Heating (Nominal) (Low - High)	5.80 (0.90 - 7.80)
Cooling (Nominal) (Low - High)	5.00 (0.90 - 5.80)
Heating (UK) (Low - High)	4.80 (0.75 - 6.50)
Cooling (UK) (Low - High)	4.95 (0.90 - 5.75)
SHF R410A (Nominal)	0.69
COP / EER (Nominal)	3.41 / 3.03
Energy Label Heating / Cooling	B / B
Width - mm	780
Depth - mm	210
Height - mm	298
Weight - kg	9
Airflow (m3/min) (Heating / Cooling) - Lo-Mi-Hi	6.9-7.4-10.9 / 6.9-7.4-10.9
Noise (dBA) (Heating / Cooling) - Lo-Mi-Hi-SupHi	30-36-42-48 / 32-38-44-48
Pipe Size Gas mm (in)	12.7 (1/2)
Pipe Size Liquid mm (in)	6.35 (1/4)
Electrical Supply	Fed by outdoor unit
Phase	Single
Fuse Rating (BS88) - HRC (A)	6
Interconnecting Cable No. Cores	4

MUZ-GB50VA Outdoor Unit	
Width - mm	840
Depth - mm	330
Height - mm	850
Weight - kg	53
Noise (dBA) (Heating / Cooling) - Lo-Hi	53-55 / 51-52
Electrical Supply	220-240v, 50Hz
Phase	Single
Fuse Rating (BS88) - HRC (A)	25
System Power Input (kW) - Heating (Nominal)	1.7
System Power Input (kW) - Cooling (Nominal)	1.65
System Power Input (kW) - Heating (UK)	1.55
System Power Input (kW) - Cooling (UK)	1.32
Starting Current (A)	7.46
System Running Current (A) - Heating / Cooling	7.78 / 7.58
Mains Cable No. Cores	3
Max Pipe Length (m)	30
Max Height Difference (m)	15
Charge (kg) - 7m	1.5

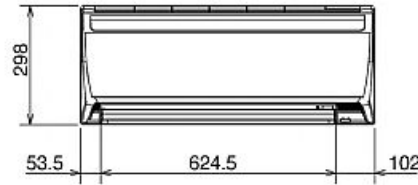
Dimensions

MSZ-GB50VA

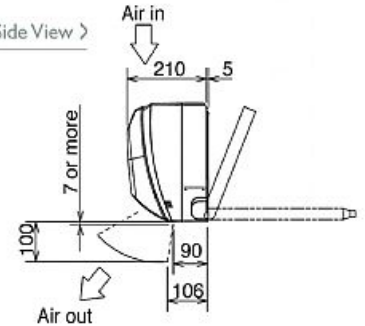
Upper View >



Front View >

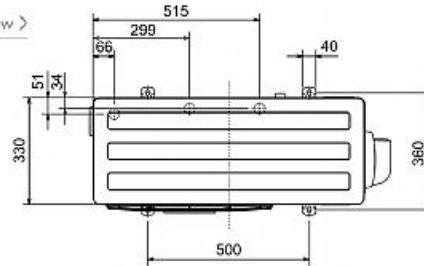


Side View >

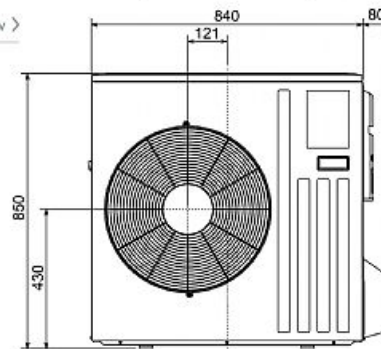


MUZ-GB50VA

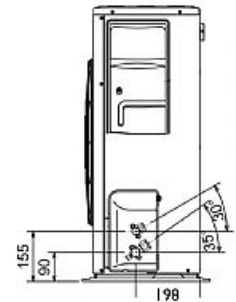
Upper View >



Front View >



Side View >



Telephone: 01707 282880

Email: air.conditioning@meuk.mee.com Website: <http://www.mitsubishielectric.co.uk/aircon>

Tel:
Fax:

Mitsubishi Electric reserves the right to make any variation in technical specification to the equipment described, or to withdraw or replace products without prior notification or public announcement.

