



MSZ-GC35VA

Inverter Heat Pump

R410A Wall Mounted System

This model has been completely redesigned and features the new Catechin filter system. It offers industry leading noise levels and has a distinctively styled front panel that not only looks appealing but also helps make the cleaning of the unit easier.

- **Anti-Allergy Enzyme filter is optional**



Pictures not to scale

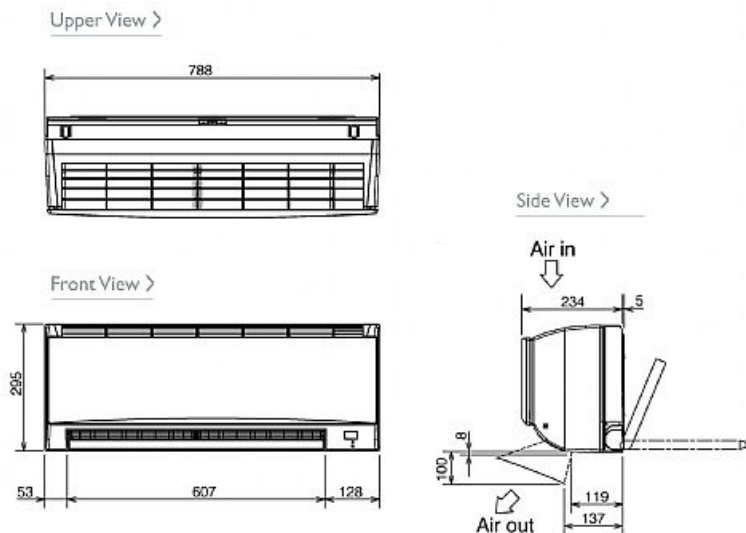
Product Details

MSZ-GC35VA Indoor Unit	
Capacity (kW):	
Heating (Nominal) (Low - High)	4.00 (0.90 - 5.00)
Cooling (Nominal) (Low - High)	3.50 (1.00 - 3.90)
Heating (UK) (Low - High)	3.30 (0.75 - 4.15)
Cooling (UK) (Low - High)	3.45 (1.00 - 3.85)
SHF R410A (Nominal)	0.76
COP / EER (Nominal)	3.79 / 3.26
Energy Label Heating / Cooling	A / A
Width - mm	788
Depth - mm	234
Height - mm	295
Weight - kg	9
Airflow (m3/min) (Heating / Cooling) - Lo-Mi-Hi-SupHi	4.1-5.6-7.7-9.5 / 3.9-5.5-7.4-9.2
Noise (dBA) (Heating / Cooling) - Lo-Mi-Hi-SupHi	22-29-36-43 / 22-29-36-43
Pipe Size Gas mm (in)	9.52 (3/8)
Pipe Size Liquid mm (in)	6.35 (1/4)
Electrical Supply	Fed by Outdoor Unit
Phase	Single
Fuse Rating (BS88) - HRC (A)	6
Interconnecting Cable No. Cores	4

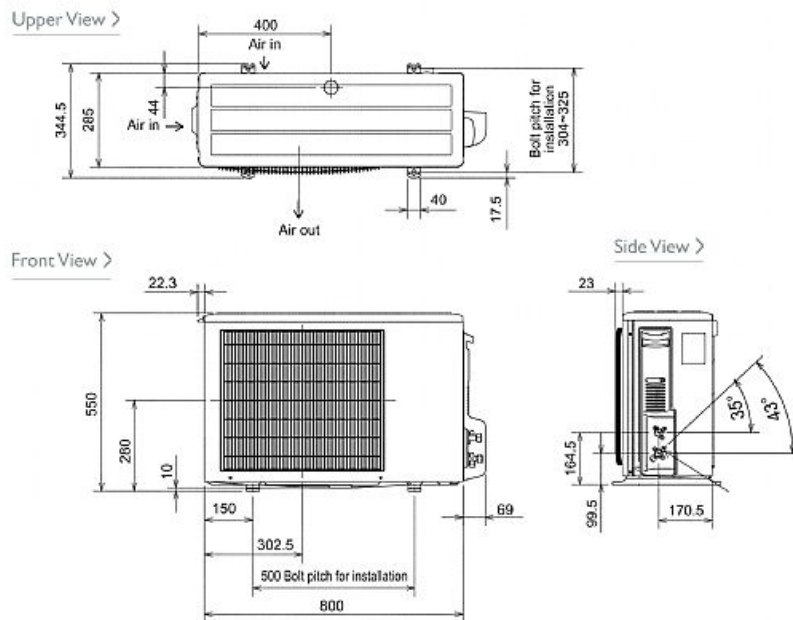
MUZ-GC35VA Outdoor Unit	
Width - mm	800
Depth - mm	285
Height - mm	550
Weight - kg	31
Noise (dBA) (Heating / Cooling)	48 / 47
Electrical Supply	220-240v, 50Hz
Phase	Single
Fuse Rating (BS88) - HRC (A)	16
System Power Input (kW) - Heating (Nominal)	1.055
System Power Input (kW) - Cooling (Nominal)	1.075
System Power Input (kW) - Heating (UK)	0.96
System Power Input (kW) - Cooling (UK)	0.86
System Running Current (A) - Heating / Cooling	4.9 / 5
Mains Cable No. Cores	3
Max Pipe Length (m)	20
Max Height Difference (m)	12
Charge (kg) - 7m	0.85

Dimensions

MSZ-GC35VA



MUZ-GC35VA



Telephone: 01707 282880

Email: air.conditioning@meuk.mee.com Website: <http://www.mitsubishielectric.co.uk/aircon>

Mitsubishi Electric reserves the right to make any variation in technical specification to the equipment described, or to withdraw or replace products without prior notification or public announcement.

Tel:
Fax:

