



MSZ-GC25VA

Inverter Heat Pump

R410A Wall Mounted System

This model has been completely redesigned and features the new Catechin filter system. It offers industry leading noise levels and has a distinctively styled front panel that not only looks appealing but also helps make the cleaning of the unit easier.

- **Anti-Allergy Enzyme Filter is optional**



Pictures not to scale

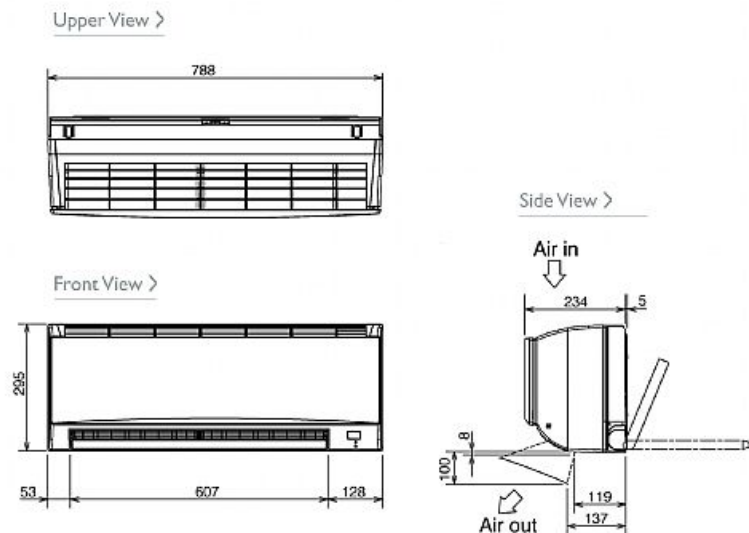
Product Details

MSZ-GC25VA Indoor Unit	
Capacity (kW):	
Heating (Nominal) (Low - High)	3.20 (0.90 - 4.50)
Cooling (Nominal) (Low - High)	2.50 (0.90 - 3.00)
Heating (UK) (Low - High)	2.65 (0.75 - 3.75)
Cooling (UK) (Low - High)	2.50 (0.90 - 3.00)
SHF R410A (Nominal)	0.79
COP / EER (Nominal)	3.83 / 3.76
Energy Label Heating / Cooling	A / A
Width - mm	788
Depth - mm	234
Height - mm	295
Weight - kg	9
Airflow (m3/min) (Heating / Cooling) - Lo-Mi-Hi-SupHi	4.6-6.3-8-10 / 4.1-5.9-7.7-9.6
Noise (dBA) (Heating / Cooling) - Lo-Mi-Hi-SupHi	21-29-36-43 / 21-29-36-43
Pipe Size Gas mm (in)	9.52 (3/8)
Pipe Size Liquid mm (in)	6.35 (1/4)
Electrical Supply	Fed by Outdoor Unit
Phase	Single
Fuse Rating (BS88) - HRC (A)	6
Interconnecting Cable No. Cores	4

MUZ-GC25VA Outdoor Unit	
Width - mm	684
Depth - mm	255
Height - mm	540
Weight - kg	26
Noise (dBA) (Heating / Cooling)	47 / 46
Electrical Supply	220-240v, 50Hz
Phase	Single
Fuse Rating (BS88) - HRC (A)	16
System Power Input (kW) - Heating (Nominal)	0.835
System Power Input (kW) - Cooling (Nominal)	0.665
System Power Input (kW) - Heating (UK)	0.76
System Power Input (kW) - Cooling (UK)	0.532
System Running Current (A) - Heating / Cooling	4.2 / 3.6
Mains Cable No. Cores	3
Max Pipe Length (m)	20
Max Height Difference (m)	12
Charge (kg) - 7m	0.75

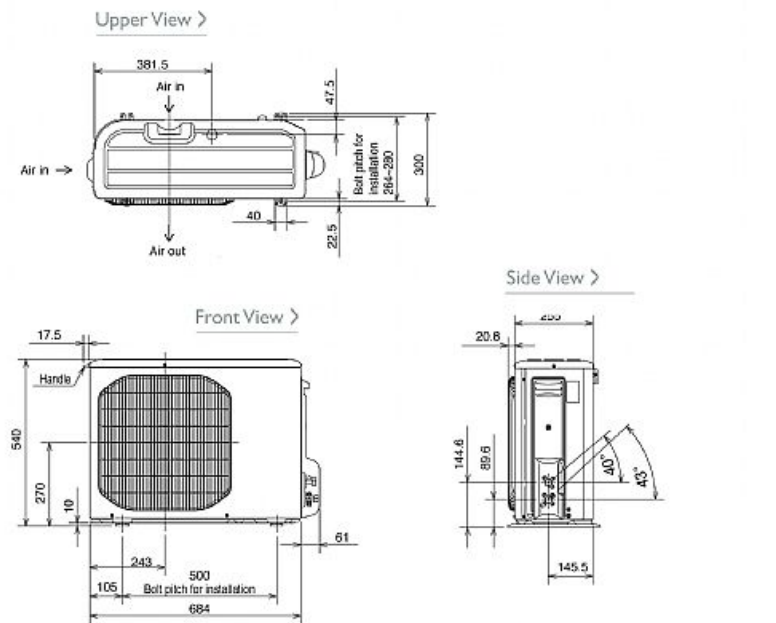
Dimensions

MSZ-GC25VA



MSZ-GC25VA

MUZ-GC25VA



MUZ-HC15/35VA(B) / MUZ-GC25VA



Telephone: 01707 282880

Email: air.conditioning@meuk.mee.com Website: <http://www.mitsubishielectric.co.uk/aircon>

Tel:
Fax:



Air Conditioning Systems

Mitsubishi Electric reserves the right to make any variation in technical specification to the equipment described, or to withdraw or replace products without prior notification or public announcement.